

**16'-0" Width x 4'-0" Height**

Fill Height (Ft.)	Top Slab										Bottom Slab										Sidewall				Mark "E" Distribution				Quantities			
	TS	J	K	Mark	Type	Length	A	B	C	D	BS	M	N	Mark	Type	Length	A	B	C	D	SW	P	R	Mark	Type	Length	W	X	Y	Z	Concrete CY/LF	Steel LBS/LF
0-2	13"	8	5"	A	1	19-2	16-8	1-3	0-8	17-4	14"	8	5"	B	1	20-2	17-8	1-3	0-8	18-4	10"	5	12"	C	Str	5-10	11 1/2"	5	9"	12"	1.77	321
2.01-5	13"	8	5"	A	1	19-2	16-8	1-3	0-8	17-4	14"	8	5"	B	1	20-2	17-8	1-3	0-8	18-4	10"	5	12"	C	Str	5-10	10"	5	12"	12"	1.77	311
5-10	14"	8	5"	A	1	19-2	16-8	1-3	0-8	17-4	15"	8	5"	B	1	20-2	17-8	1-3	0-8	18-4	10"	5	12"	C	Str	6-0	10"	5	12"	12"	1.88	311
10-15	15"	9	5"	A	1	20-2	16-4 1/2	1-11	0-11 3/4	17-4	16"	9	5"	B	1	21-2	17-4 1/2	1-11	0-11 3/4	18-4	10"	5	12"	C	Str	6-2	10"	5	12"	12"	1.99	397
15-20	17"	9	5"	A	1	20-2	16-4 1/2	1-11	0-11 3/4	17-4	18"	9	5"	B	1	21-2	17-4 1/2	1-11	0-11 3/4	18-4	10"	5	12"	C	Str	6-6	10"	5	12"	12"	2.22	397
20-25	19"	11	5"	A	1	21-3	16-5 1/2	2-5	1-2 3/4	17-8	20"	11	5"	B	1	22-3	17-5 1/2	2-5	1-2 3/4	18-8	12"	5	12"	C	Str	6-10	12"	5	12"	12"	2.53	615
25-30	23"	11	5"	A	1	21-9	16-11 1/4	2-5	1-2 3/4	18-2	24"	11	5"	B	1	22-9	17-11 1/4	2-5	1-2 3/4	19-2	15"	5	12"	C	Str	7-6	15"	5	12"	12"	3.13	630
30-35	26"	11	5"	A	1	22-3	17-5 1/2	2-5	1-2 3/4	18-8	27"	11	5"	B	1	23-3	18-5 1/2	2-5	1-2 3/4	19-8	18"	5	12"	C	Str	8-0	18"	5	12"	12"	3.64	643
35-40	30"	11	5"	A	1	22-3	17-5 1/2	2-5	1-2 3/4	18-8	31"	11	5"	B	1	23-3	18-5 1/2	2-5	1-2 3/4	19-8	18"	5	12"	C	Str	8-8	18"	5	12"	12"	4.12	645

**16'-0" Width x 6'-0" Height**

Fill Height (Ft.)	Top Slab										Bottom Slab										Sidewall				Mark "E" Distribution				Quantities			
	TS	J	K	Mark	Type	Length	A	B	C	D	BS	M	N	Mark	Type	Length	A	B	C	D	SW	P	R	Mark	Type	Length	W	X	Y	Z	Concrete CY/LF	Steel LBS/LF
0-2	13"	8	5"	A	1	19-2	16-8	1-3	0-8	17-4	14"	8	5"	B	1	20-2	17-8	1-3	0-8	18-4	10"	5	12"	C	Str	7-10	11 1/2"	5	9"	12"	1.89	330
2.01-5	13"	8	5"	A	1	19-2	16-8	1-3	0-8	17-4	14"	8	5"	B	1	20-2	17-8	1-3	0-8	18-4	10"	5	12"	C	Str	7-10	10"	5	12"	12"	1.89	319
5-10	14"	8	5"	A	1	19-2	16-8	1-3	0-8	17-4	15"	8	5"	B	1	20-2	17-8	1-3	0-8	18-4	10"	5	12"	C	Str	8-0	10"	5	12"	12"	2.00	320
10-15	15"	9	5"	A	1	20-2	16-4 1/2	1-11	0-11 3/4	17-4	16"	9	5"	B	1	21-2	17-4 1/2	1-11	0-11 3/4	18-4	10"	5	12"	C	Str	8-2	10"	5	12"	12"	2.12	405
15-20	17"	9	5"	A	1	20-2	16-4 1/2	1-11	0-11 3/4	17-4	18"	9	5"	B	1	21-2	17-4 1/2	1-11	0-11 3/4	18-4	10"	5	10"	C	Str	8-6	10"	5	12"	12"	2.34	409
20-25	19"	11	5"	A	1	21-3	16-5 1/2	2-5	1-2 3/4	17-8	20"	11	5"	B	1	22-3	17-5 1/2	2-5	1-2 3/4	18-8	12"	5	10"	C	Str	8-10	12"	5	12"	12"	2.68	627
25-30	23"	11	5"	A	1	21-9	16-11 1/4	2-5	1-2 3/4	18-2	24"	11	5"	B	1	22-9	17-11 1/4	2-5	1-2 3/4	19-2	15"	5	11"	C	Str	9-6	15"	5	12"	12"	3.32	640
30-35	27"	11	5"	A	1	22-3	17-5 1/2	2-5	1-2 3/4	18-8	28"	11	5"	B	1	23-3	18-5 1/2	2-5	1-2 3/4	19-8	18"	5	11"	C	Str	10-2	18"	5	12"	12"	3.98	654
35-40	31"	11	5"	A	1	22-3	17-5 1/2	2-5	1-2 3/4	18-8	32"	11	5"	B	1	23-3	18-5 1/2	2-5	1-2 3/4	19-8	18"	5	9"	C	Str	10-10	18"	5	12"	12"	4.46	661

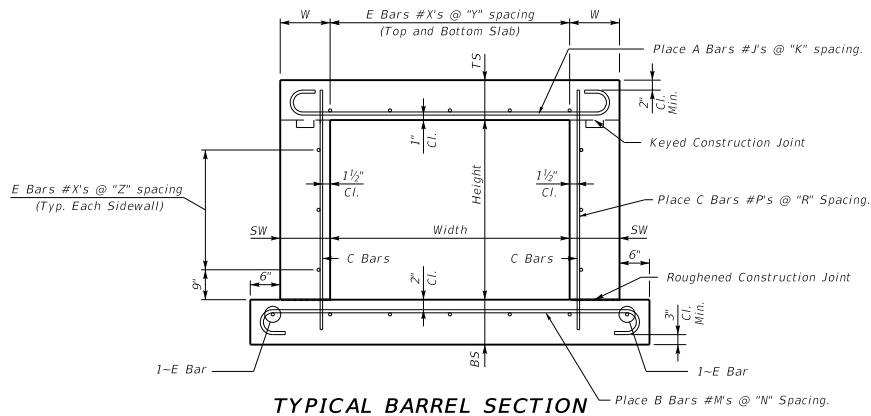
**16'-0" Width x 8'-0" Height**

Fill Height (Ft.)	Top Slab										Bottom Slab										Sidewall				Mark "E" Distribution				Quantities			
	TS	J	K	Mark	Type	Length	A	B	C	D	BS	M	N	Mark	Type	Length	A	B	C	D	SW	P	R	Mark	Type	Length	W	X	Y	Z	Concrete CY/LF	Steel LBS/LF
0-2	13"	8	5"	A	1	19-2	16-8	1-3	0-8	17-4	14"	8	5"	B	1	20-2	17-8	1-3	0-8	18-4	10"	5	12"	C	Str	9-10	11 1/2"	5	9"	12"	2.01	338
2.01-5	13"	8	5"	A	1	19-2	16-8	1-3	0-8	17-4	14"	8	5"	B	1	20-2	17-8	1-3	0-8	18-4	10"	5	12"	C	Str	9-10	10"	5	12"	12"	2.01	328
5-10	14"	8	5"	A	1	19-2	16-8	1-3	0-8	17-4	15"	8	5"	B	1	20-2	17-8	1-3	0-8	18-4	10"	5	10"	C	Str	10-0	10"	5	12"	12"	2.13	332
10-15	15"	9	5"	A	1	20-2	16-4 1/2	1-11	0-11 3/4	17-4	16"	9	5"	B	1	21-2	17-4 1/2	1-11	0-11 3/4	18-4	10"	5	8"	C	Str	10-2	10"	5	12"	12"	2.24	424
15-20	17"	10	5"	A	1	20-7	16-2 3/4	2-2	1-1 1/4	17-4	18"	10	5"	B	1	21-7	17-2 3/4	2-2	1-1 1/4	18-4	10"	5	7"	C	Str	10-6	10"	5	12"	12"	2.46	529
20-25	20"	11	5"	A	1	21-3	16-5 1/2	2-5	1-2 3/4	17-8	21"	11	5"	B	1	22-3	17-5 1/2	2-5	1-2 3/4	18-8	12"	5	7"	C	Str	11-0	12"	5	12"	12"	2.94	649
25-30	24"	11	5"	A	1	22-3	17-5 1/2	2-5	1-2 3/4	18-8	25"	11	5"	B	1	23-3	18-5 1/2	2-5	1-2 3/4	19-8	18"	5	8"	C	Str	11-8	18"	5	12"	12"	3.84	672
30-35	28"	11	5"	A	1	22-3	17-5 1/2	2-5	1-2 3/4	18-8	29"	11	5"	B	1	23-3	18-5 1/2	2-5	1-2 3/4	19-8	18"	6	9"	C	Str	12-4	18"	5	12"	12"	4.33	684
35-40	31"	11	5"	A	1	22-3	17-5 1/2	2-5	1-2 3/4	18-8	32"	11	5"	B	1	23-3	18-5 1/2	2-5	1-2 3/4	19-8	18"	6	8"	C	Str	12-10	18"	5	12"	12"	4.69	693

**16'-0" Width x 10'-0" Height**

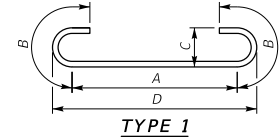
Fill Height (Ft.)	Top Slab										Bottom Slab										Sidewall				Mark "E" Distribution				Quantities			
	TS	J	K	Mark	Type	Length	A	B	C	D	BS	M	N	Mark	Type	Length	A	B	C	D	SW	P	R	Mark	Type	Length	W	X	Y	Z	Concrete CY/LF	Steel LBS/LF
0-2	13"	8	5"	A	1	19-2	16-8	1-3	0-8	17-4	14"	8	5"	B	1	20-2	17-8	1-3	0-8	18-4	10"	5	11"	C	Str	11-10	11 1/2"	5	9"	12"	2.14	349
2.01-5	13"	8	5"	A	1	19-2	16-8	1-3	0-8	17-4	14"	8	5"	B	1	20-2	17-8	1-3	0-8	18-4	10"	5	9"	C	Str	11-10	10"	5	12"	12"	2.14	344
5-10	14"	8	5"	A	1	19-2	16-8	1-3	0-8	17-4	15"	8	5"	B	1	20-2	17-8	1-3	0-8	18-4	10"	5	7"	C	Str	12-0	10"	5	12"	12"	2.25	354
10-15	16"	9	5"	A	1	20-2	16-4 1/2	1-11	0-11 3/4	17-4	17"	9	5"	B	1	21-2	17-4 1/2	1-11	0-11 3/4	18-4	10"	5	6"	C	Str	12-4	10"	5	12"	12"	2.47	448
15-20	17"	10	5"	A	1	20-11	16-6 3/4	2-2	1-1 1/4	17-8	18"	10	5"	B	1	21-11	17-6 3/4	2-2	1-1 1/4	18-8	12"	5	6"	C	Str	12-6	12"	5	12"	12"	2.75	554
20-25	20"	11	5"	A	1	21-3	16-5 1/2	2-5	1-2 3/4	17-8	21"	11	5"	B	1	22-3	17-5 1/2	2-5	1-2 3/4	18-8	12"	5	5"	C	Str	13-0	12"	5	12"	12"	3.09	679
25-30	25"	11	5"	A	1	22-3	17-5 1/2	2-5	1-2 3/4	18-8	26"	11	5"	B	1	23-3	18-5 1/2	2-5	1-2 3/4	19-8	18"	5	5"	C	Str	13-10	18"	5	12"	12"	4.19	709
30-35	28"	11	5"	A	1	22-3	17-5 1/2	2-5	1-2 3/4	18-8	29"	11	5"	B	1	23-3	18-5 1/2	2-5	1-2 3/4	19-8	18"	6	8"	C	Str	14-4	18"	5	12"	12"	4.55	704
35-40	32"	11	5"	A	1	22-3	17-5 1/2	2-5	1-2 3/4	18-8	33"	11	5"	B	1	23-3	18-5 1/2	2-5	1-2 3/4	19-8	18"	6	7"	C	Str	15-0	18"	5	12"	12"	5.03	716

**NOTE:**  
Bar Dimensions are per bar.

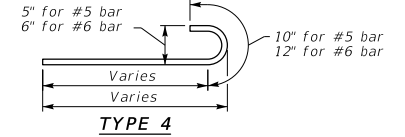


**TYPICAL BARREL SECTION**

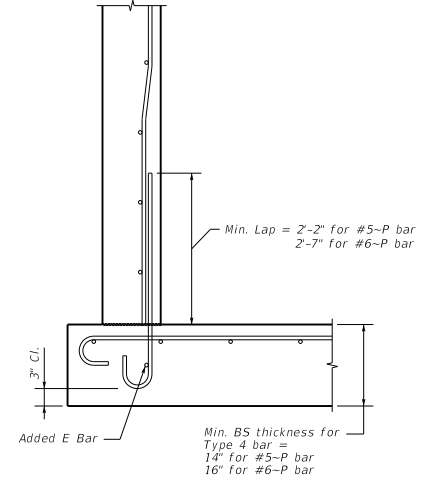
**NOTE:**  
A & B bars may need to be rotated to maintain shown clearances.



**TYPE 1**



**TYPE 4**



**OPTIONAL HOOK DETAIL**

**NOTE:**  
The contractor will not be paid additionally if optional hook detail is used.

KENTUCKY  
DEPARTMENT OF HIGHWAYS

STANDARD CULVERT  
16' - 0" WIDTH

STANDARD DRAWING NO. BSC-007

SUBMITTED *[Signature]* 02-26-20  
DIRECTOR DIVISION OF STRUCTURAL DESIGN DATE  
APPROVED *[Signature]* 02-26-20  
STATE ENGINEER DATE